

Item No.	Quantity	Thru/Rev.	Designation	Material	Dimension etc.	Article No./Reference
1			Designed by	Checked by	Approved by - date	Finish Date
2			DESIGNED BY	CHECKED BY	APPROVED BY - DATE	REVISION DATE
TITLE						
DRAWING NUMBER						
Edition Sheet						
FORM SHEET						

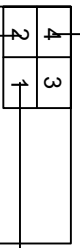
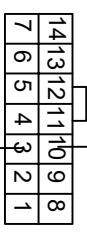
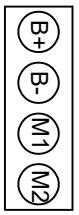
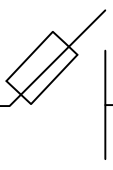
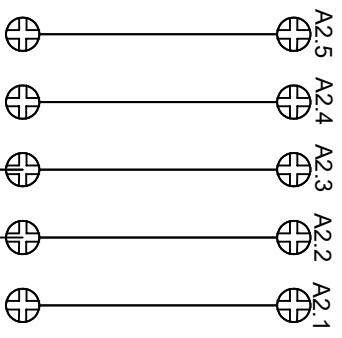
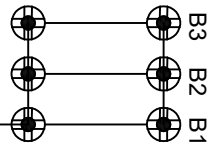
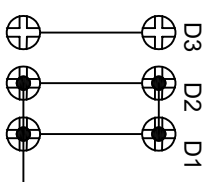
TERMINAL BLOK B

DOUBLE TERMINAL BLOK A

POSITIVE BLOK

NEGATIVE BLOK

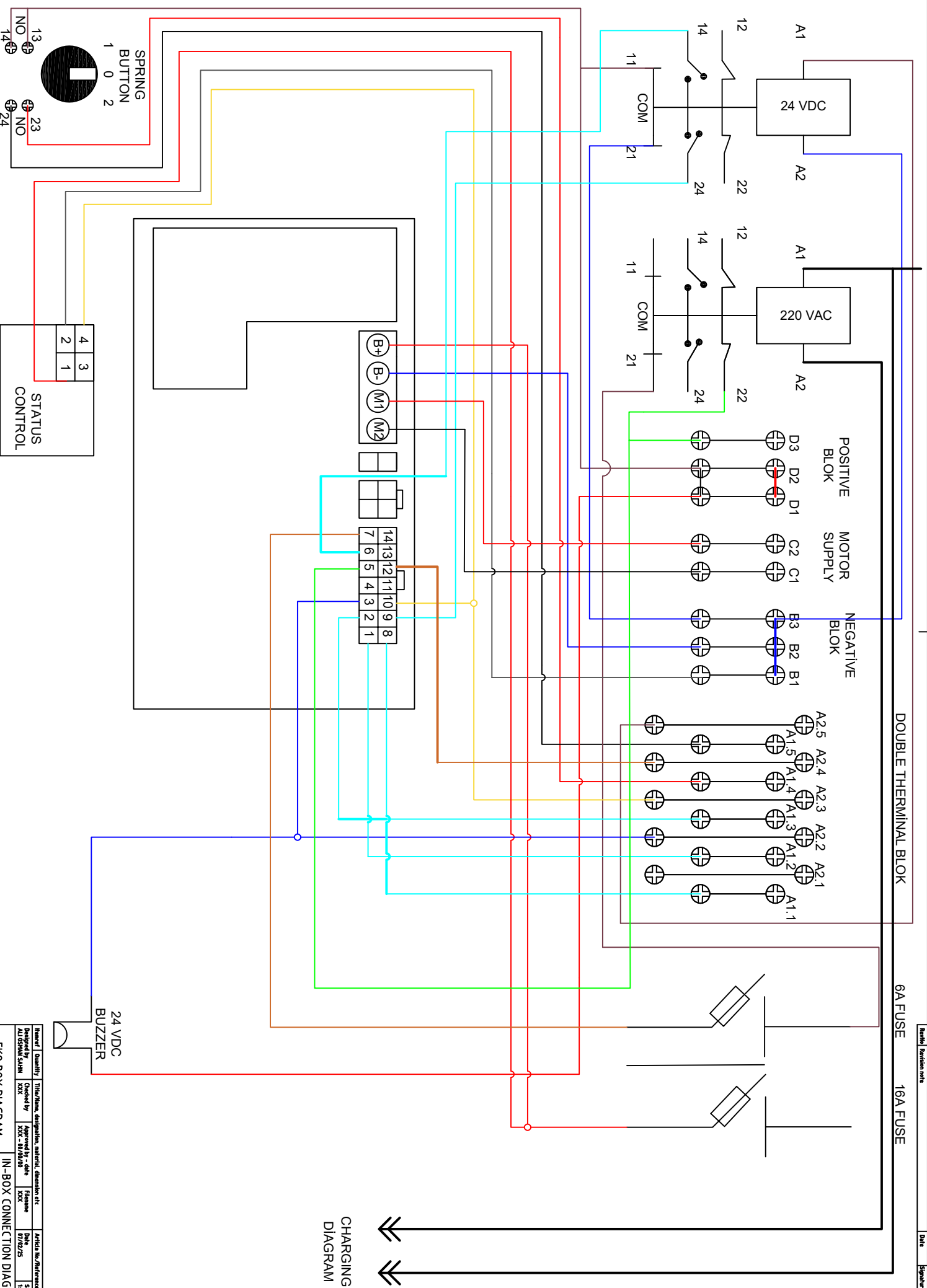
16A FUSE



24 VDC BUZZER

STATUS CONTROL

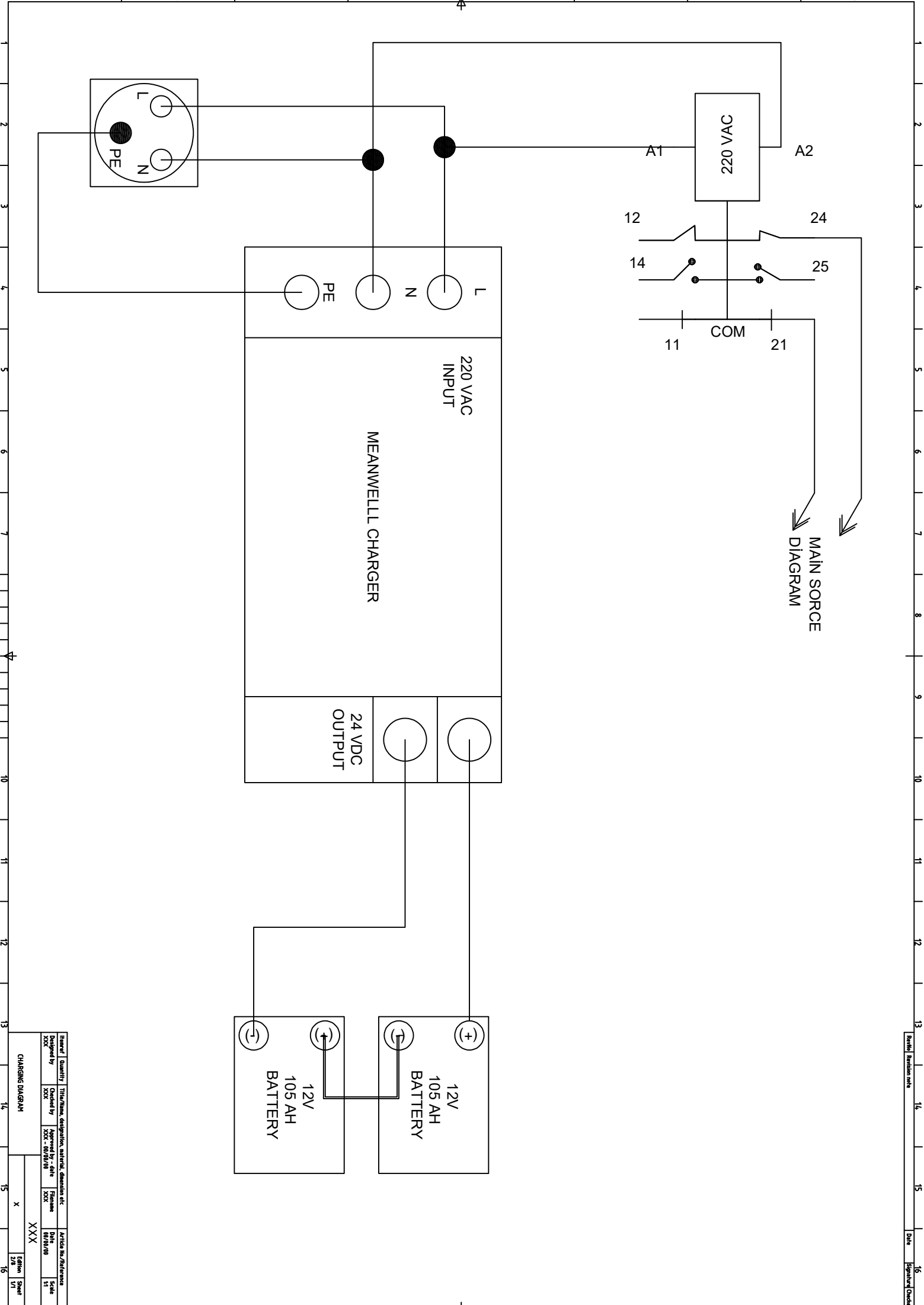
Header	Quantity	Title/Item, designation, material, dimension etc	Article No./Reference
Designed by	Checked by	Approved by - date	File name
XXX	XXX	XXX - 00/00/00	00/00/00
STATUS CONTROL		XXX	Scale 1:1
X		Scale	Sheet 1/1



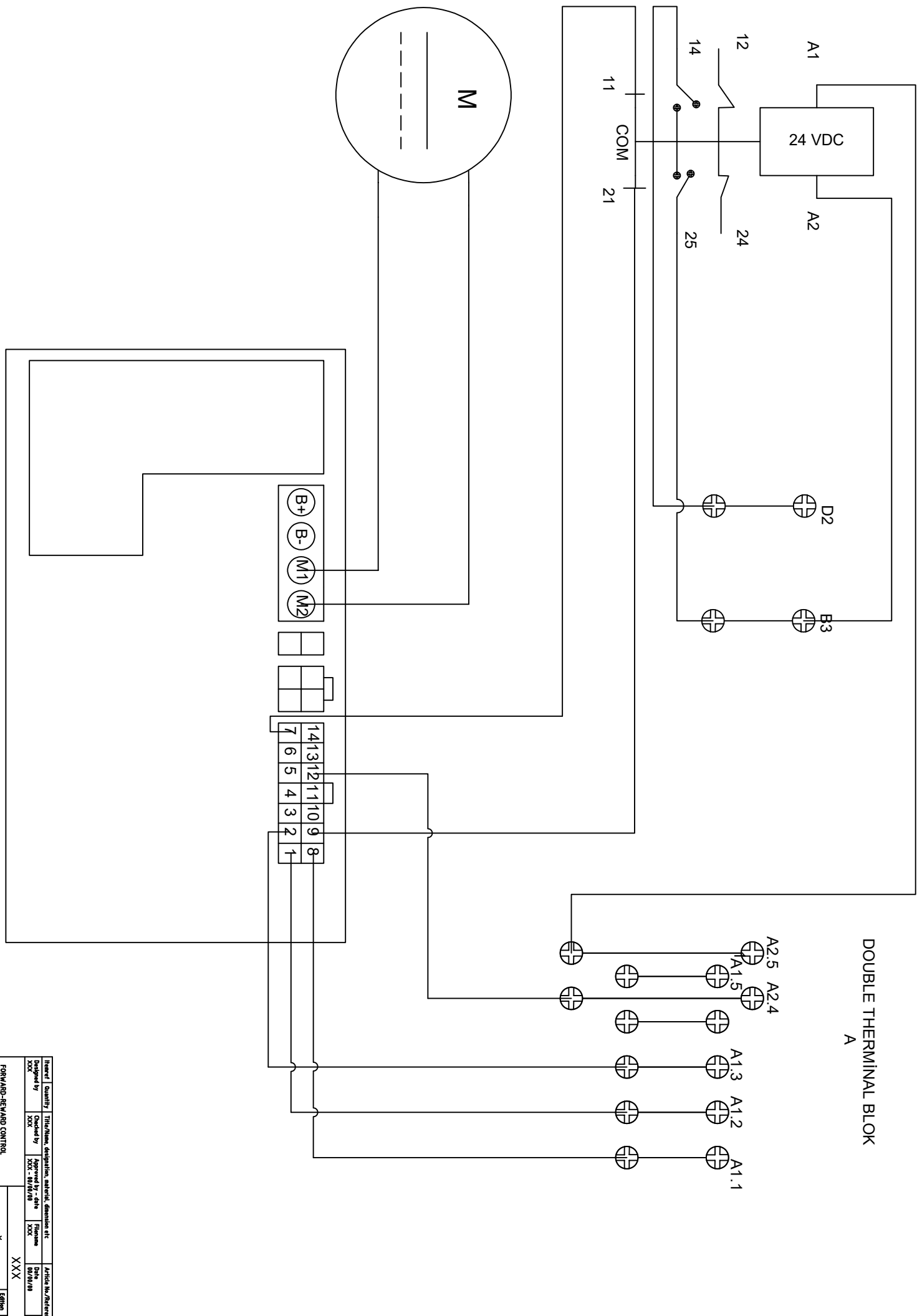
CHARGING
DIAGRAM

Designed by	Checked by	Approved by	Release Date
ALU GEMAL SAMI	XXX	XXX - 88/8/88	8/17/25
Article No./Reference	Scale	Edition / Sheet	
EKO BOX DIAGRAM	X	8 / 17	

EKO BOX CONNECTION DIAGRAM

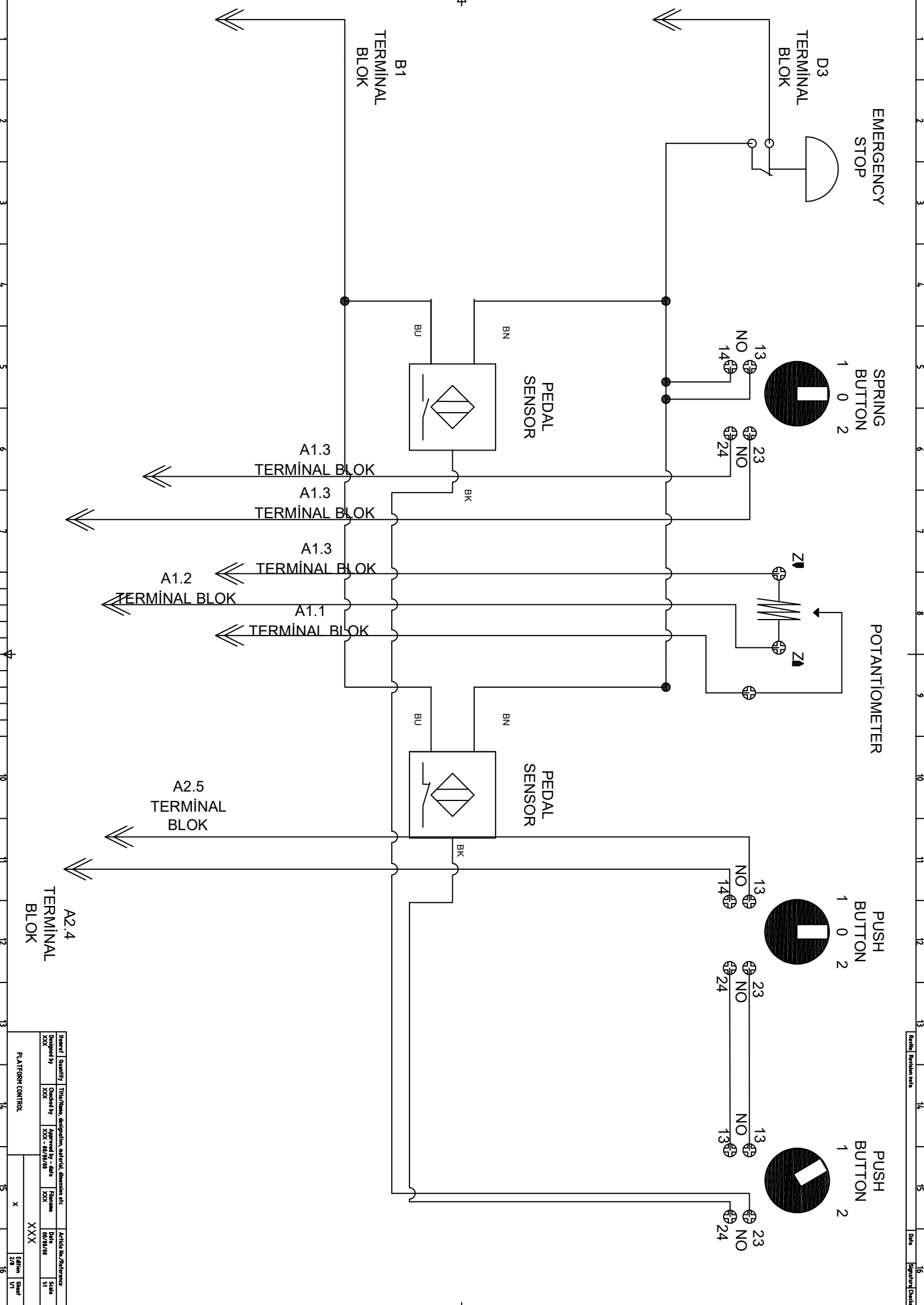


Designed by	Checked by	Approved by - date	Article No./Reference
XXX	XXX	XXX - 09/09/09	09/09/09
Title/Item, description, serial, dimension etc		File name	Scale
XXX		XXX	1:1



DOUBLE TERMINAL BLOK
 A

Designed by	XXX	Checked by	XXX	Approved by - date	XXX - 00/00/00	Article No./Reference	XXX
Quantity	XXX	Title/Name, designation, material, dimension etc	XXX	File name	XXX	Date	00/00/00
FORWARD-REWARD CONTROL			XXX		Scale		1:1
			X		Edition		Sheet 1/1



Issued	Quantity	Title/Rev.	Designation, sub-title, dimension etc.	Article No./Reference
Designed by	Checked by	Approved by - date	Filename	Date
XXX	XXX	XXX - 00/00/00	XXX	00/00/00
PLATFORM CONTROL				
				Scale
				1:1
				Sheet
				1/1

