

PILOT WHEEL LIMIT SWITCH UP
SW2

PILOT WHEEL LIMIT SWITCH DOWN
SW1

1X40
CIRCUIT
BREAKER

6A FUSE

10A FUSE

DOUBLE TERMINAL BLOCK

NEGATIVE
BLOCK

MOTOR
CONTROL

POSITIVE
BLOCK

CHARGING
DIAGRAM

SPRING
BUTTON
1 0 2

STATUS
CONTROL

24VDC
BUZZER

Item No.	Quantity	Title/Name, designation, material, dimension etc	Article No./Reference
1	1	12V 105AH BATTERY	
2	1	12V 105AH BATTERY	
3	1	1X40 CIRCUIT BREAKER	
4	1	24VDC BUZZER	
5	1	24VDC RELAY (R01)	
6	1	24VDC RELAY (R02)	
7	1	24VDC RELAY (R03)	
8	1	24VDC RELAY (R04)	
9	1	220VAC RELAY (R05)	
10	1	6A FUSE	
11	1	10A FUSE	
12	1	DOUBLE TERMINAL BLOCK	
13	1	NEGATIVE BLOCK	
14	1	MOTOR CONTROL	
15	1	POSITIVE BLOCK	
16	1	STATUS CONTROL	
17	1	SPRING BUTTON	

PROFESSIONAL DIAGRAM

IN-BOX CONNECTION DIAGRAM

Scale 1:1

Date 04/04/18

Finished by XXX

Checked by XXX

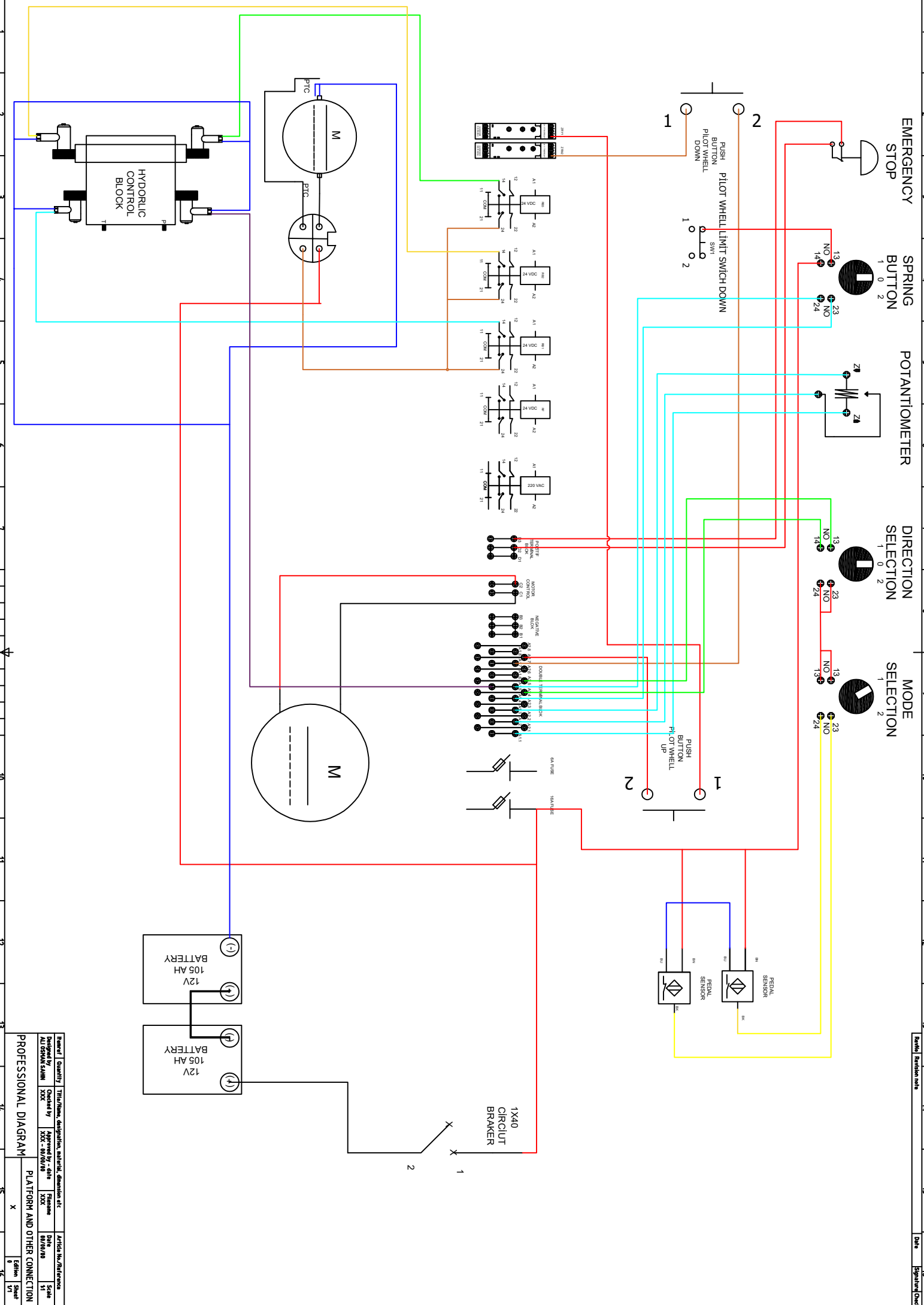
Approved by XXX - 04/04/18

Designed by ALI GHAM SAHNI XXX

Item No. / Revision note

Date

Signature/Checked



Revised / Revision note
 Date
 Signature / Checked

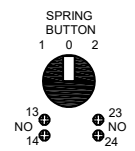
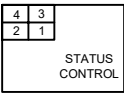
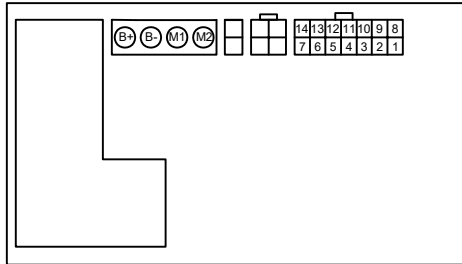
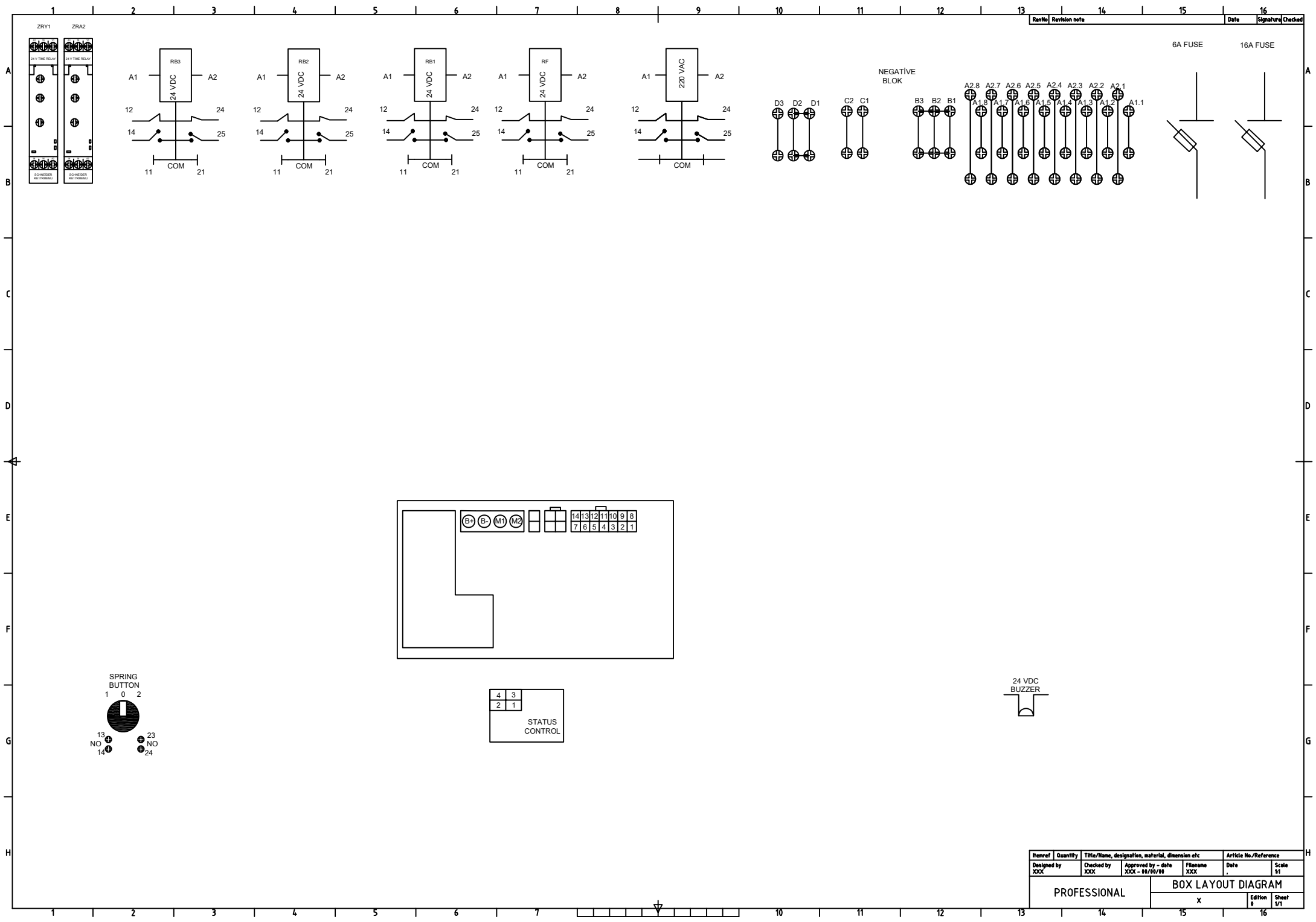
Revised /	Quantity	Title/Name, designation, material, dimension etc	Designed by	Approved by - date	Finisher	Date	Article No./Reference
ALISHAH SAMI	KXC		KXC	KXC - 07/0/08	KXC	07/0/08	

PLATFORM AND OTHER CONNECTION

Scale 1:1

Sheet 1/1

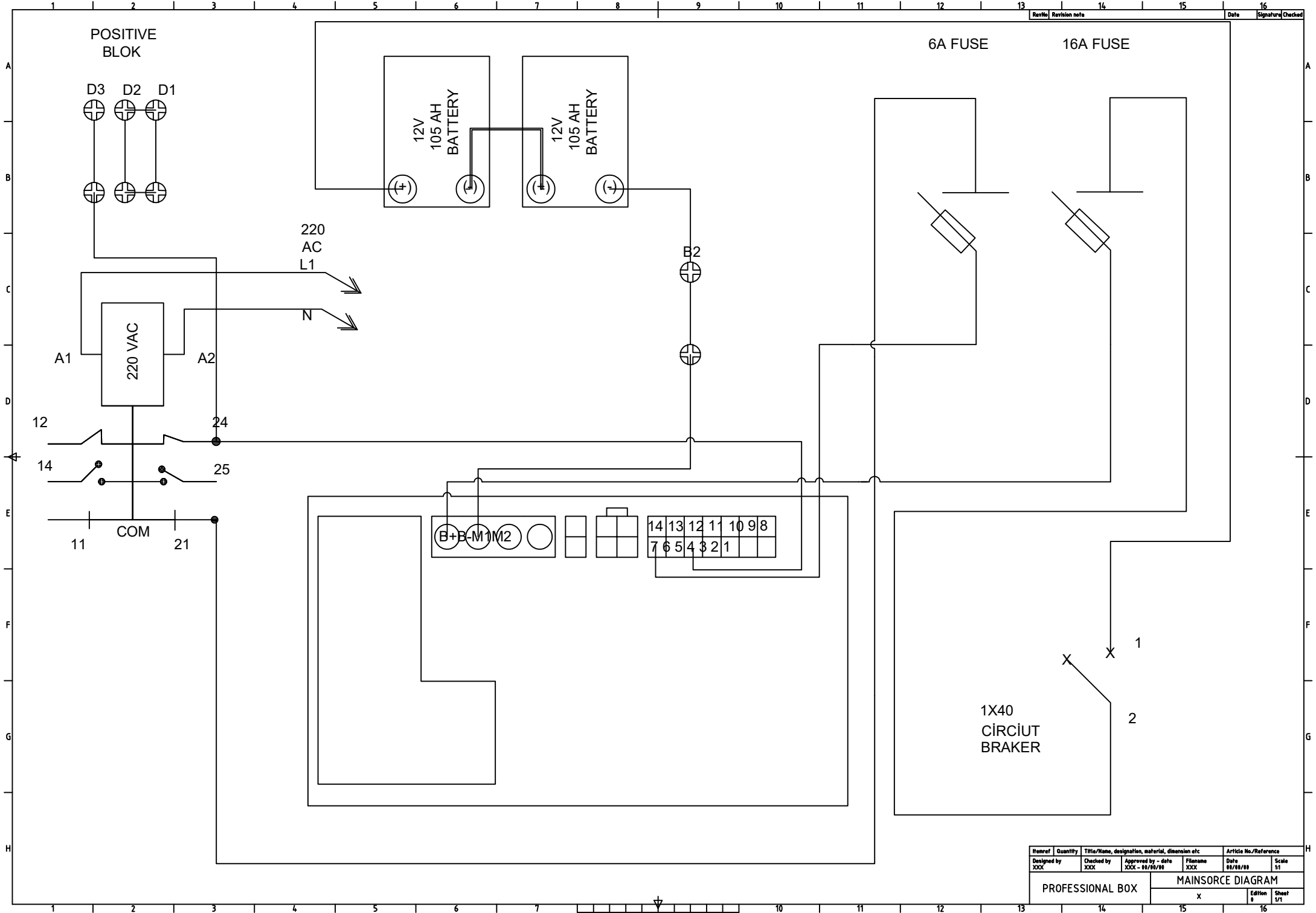
PROFESSIONAL DIAGRAM



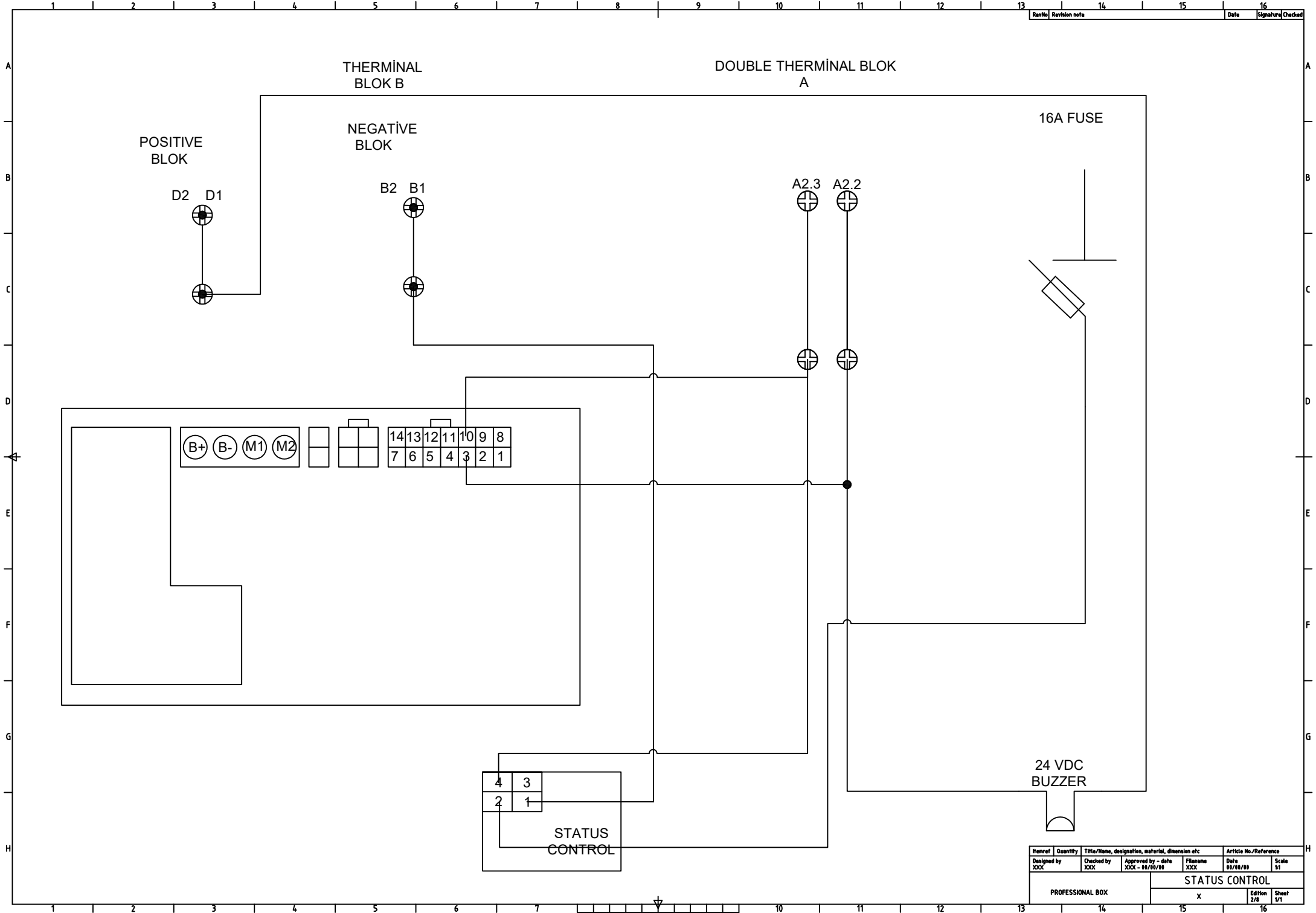
Item#	Quantity	Title/Name, designation, material, dimension etc	Article No./Reference
Designed by XXX	Checked by XXX	Approved by - Date XXX - 01/05/00	Filename XXX
Date		Scale	1:1
Edition		Sheet	
0		1/1	

PROFESSIONAL BOX LAYOUT DIAGRAM

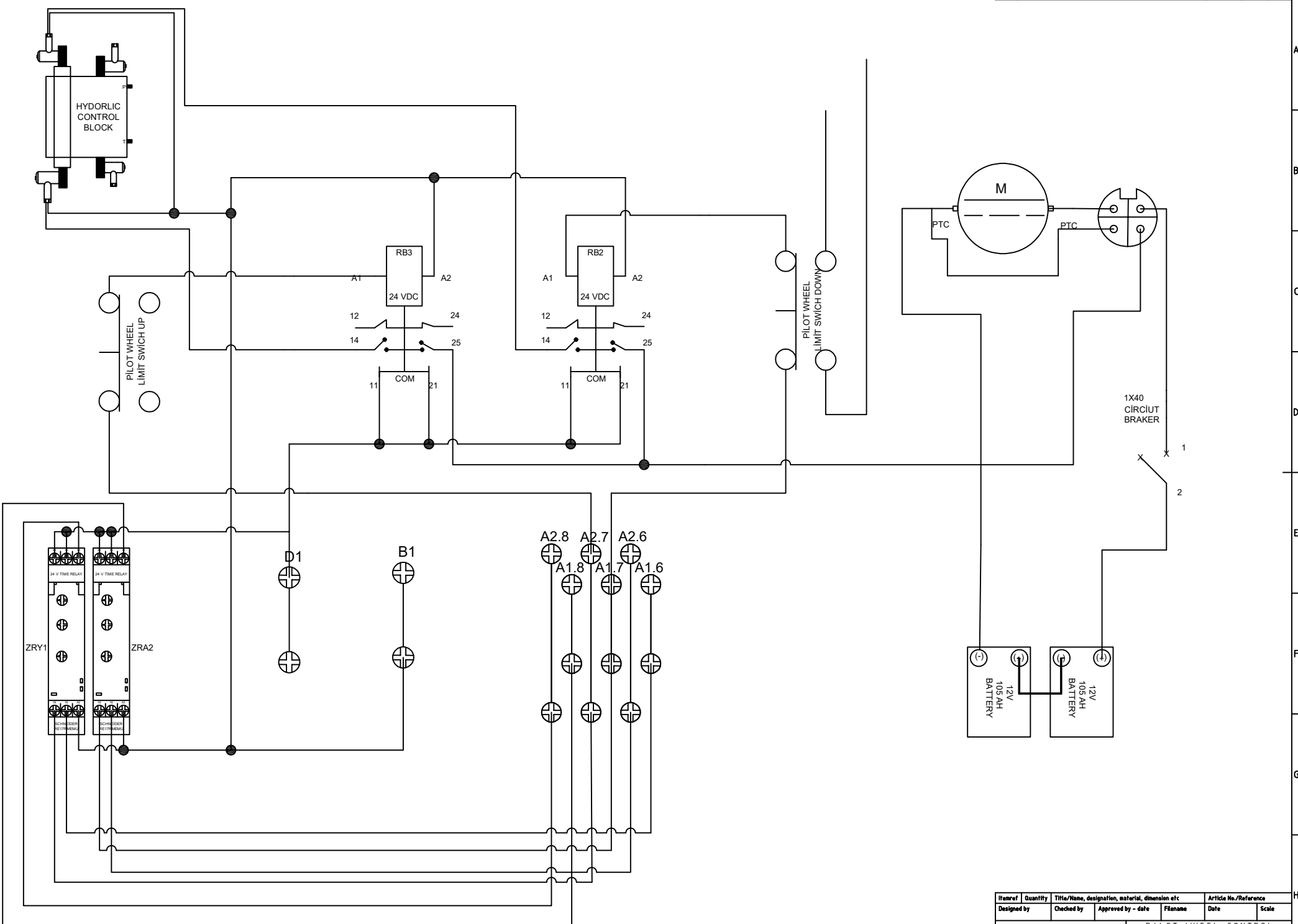
X



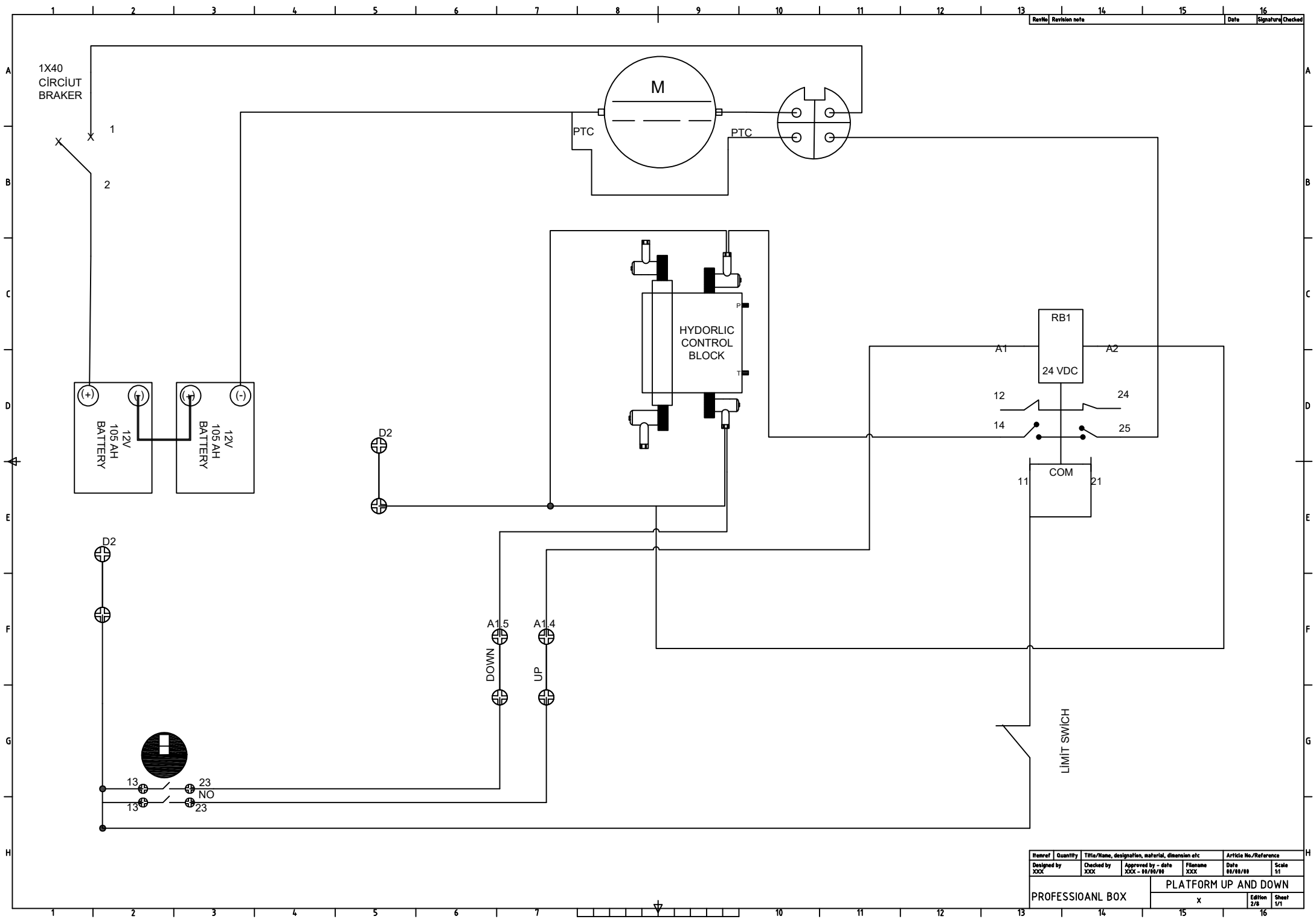
Item#	Quantity	Title/Name, designation, material, dimension etc	Article No./Reference
Designed by XXX	Checked by XXX	Approved by - Date XXX - 01/05/00	Date 01/01/00
PROFESSIONAL BOX		MANSORCE DIAGRAM	
		Edition # 1/1	



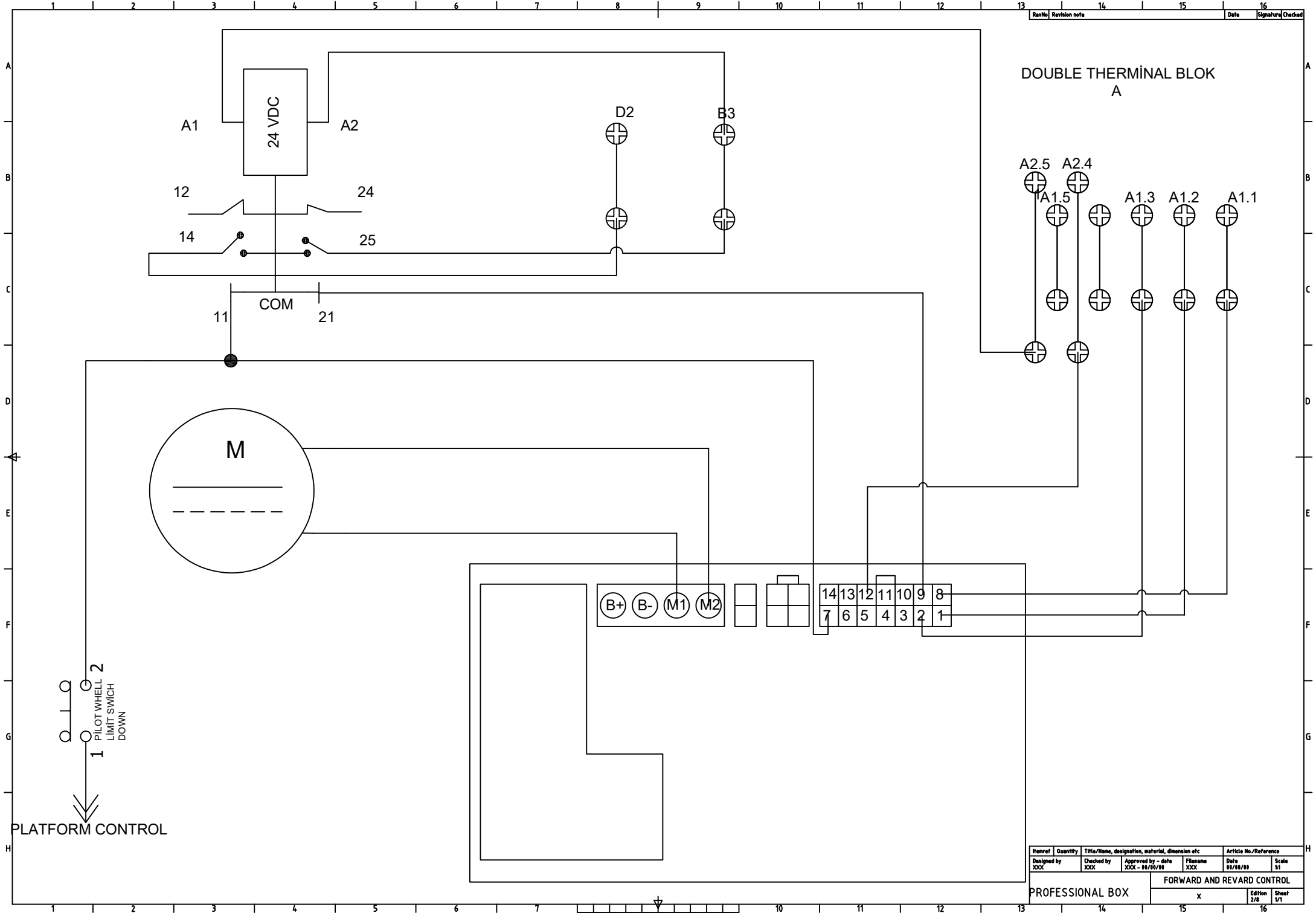
Item No.	Quantity	Title/Name, designation, material, dimension etc.	Article No./Reference
Designed by XXX	Checked by XXX	Approved by - Date XXX - 01/05/00	Date 01/01/00
PROFESSIONAL BOX		STATUS CONTROL	
		X	Scale 1/1
		Ed/Rev 2/0	Sheet 1/1



Item#	Quantity	Titlu/Name, designation, material, dimension etc	Article No./Reference		
Designed by	Checked by	Approved by - date	Filename	Date	Scale
PROFESSIONAL BOX		PILOT WHEEL CONTROL			
		Edition		Sheet	



Item No	Quantity	Title/Name, designation, material, dimension etc	Article No./Reference
Designed by XXX	Checked by XXX	Approved by - Date XXX - 01/05/00	Filename XXX
		Date 01/01/00	Scale 1:1
PROFESSIONAL BOX			PLATFOM UP AND DOWN
X			Ediion 2/8
			Sheet 1/1



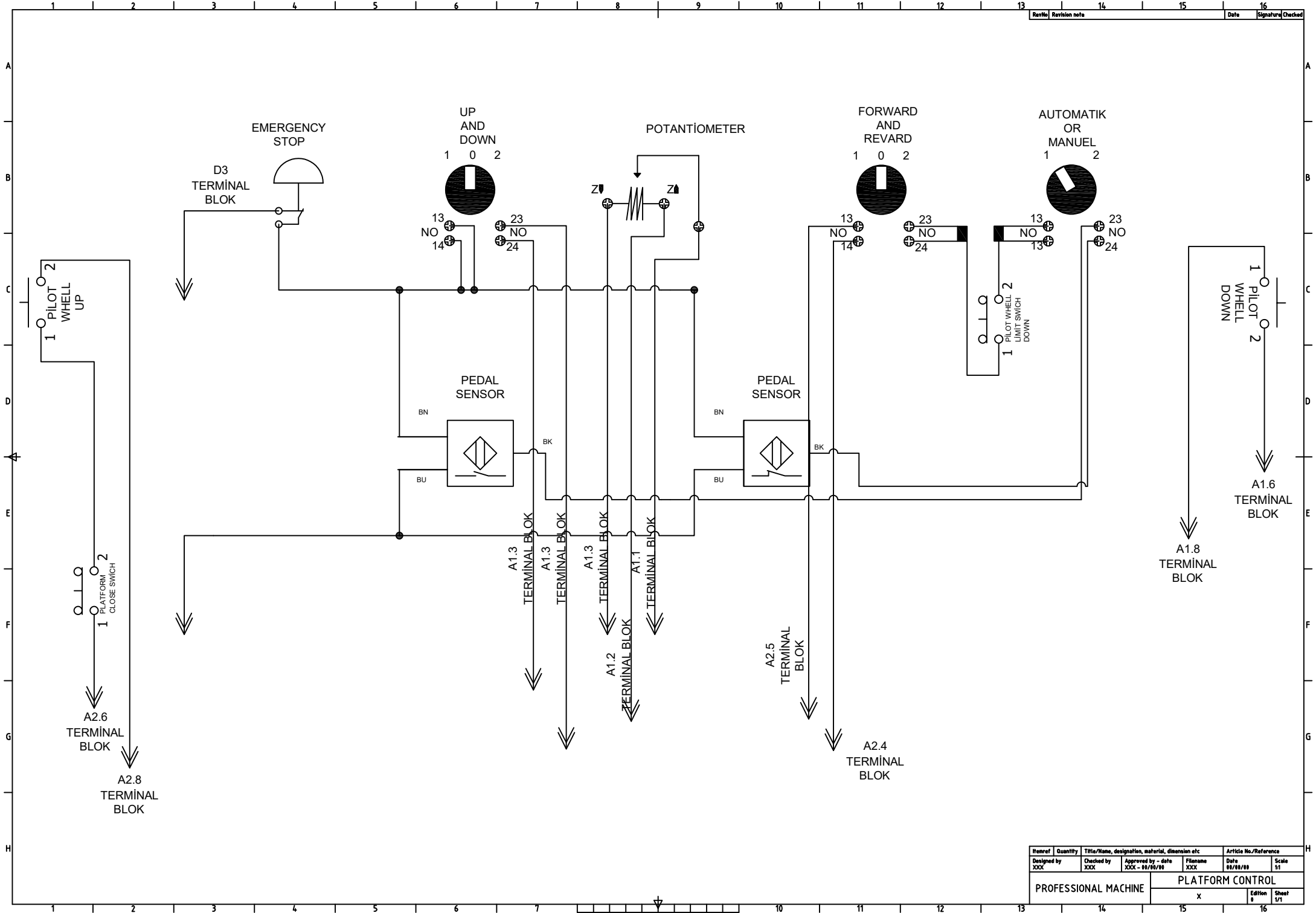
PLATFORM CONTROL

Item no	Quantity	Title/Name, designation, material, dimension etc	Article No./Reference
Designed by XXX	Checked by XXX	Approved by - Date XXX - 01/01/00	Filename XXX
Date 01/01/00			Scale 1:1
Edition 2/8			Sheet 1/11

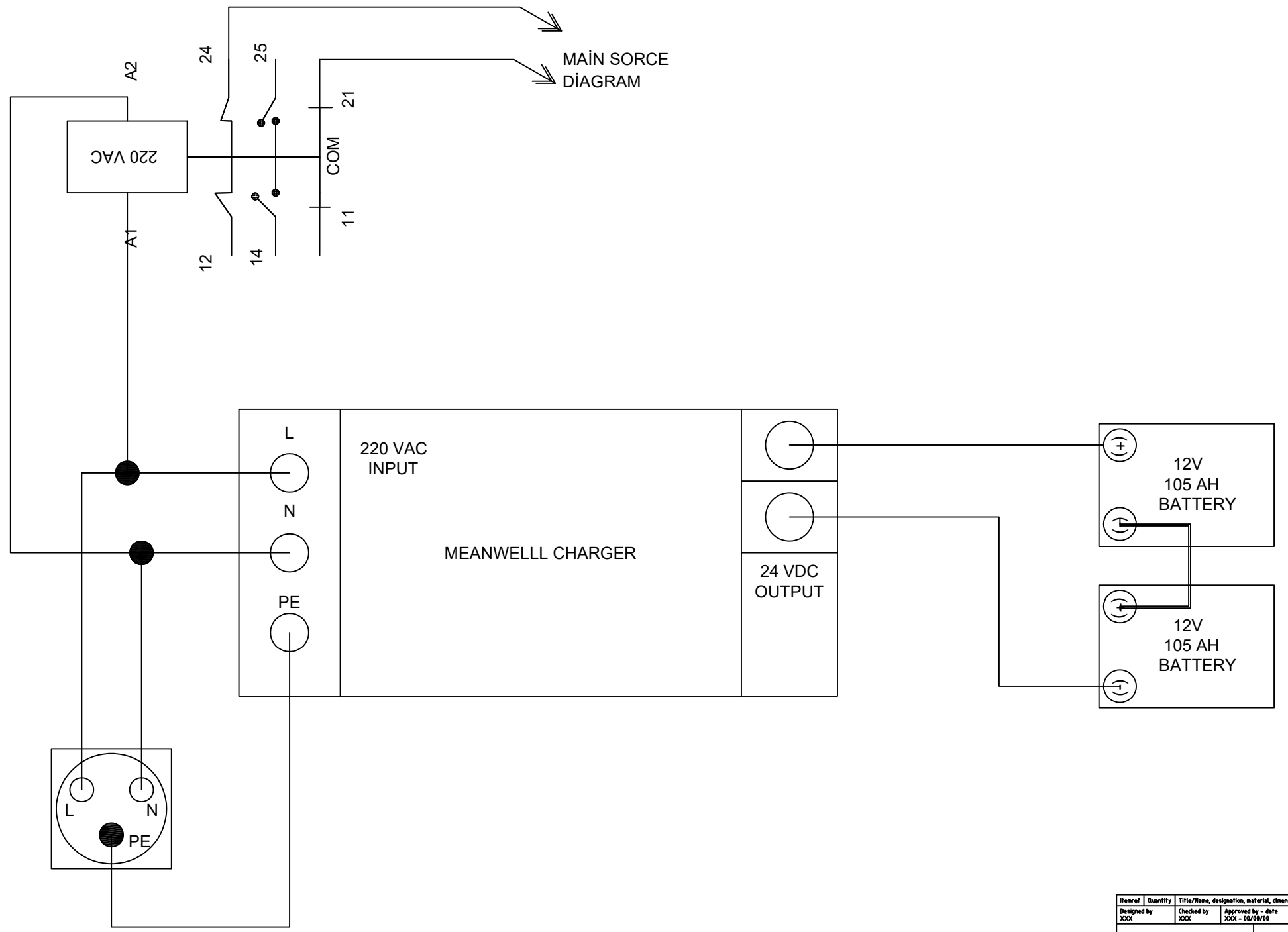
PROFESSIONAL BOX

FORWARD AND REWARD CONTROL

X



Item No.	Quantity	Title/Name, designation, material, dimension etc	Article No./Reference
Designed by XXX	Checked by XXX	Approved by - Date XXX - 01/05/00	Date 01/01/00
PROFESSIONAL MACHINE			Scale 1:1
PLATFORM CONTROL			Edition 0
x			Sheet 1/1



MAIN SOURCE
DIAGRAM

Itemref	Quantity	Title/Name, designation, material, dimension etc	Article No./Reference
Designed by XXX	Checked by XXX	Approved by - date XXX - 08/08/00	Filename XXX
CHARGING DIAGRAM		Date 08/08/00	
		Edition 2/3	
		Scale 1:1	
		Sheet 1/1	